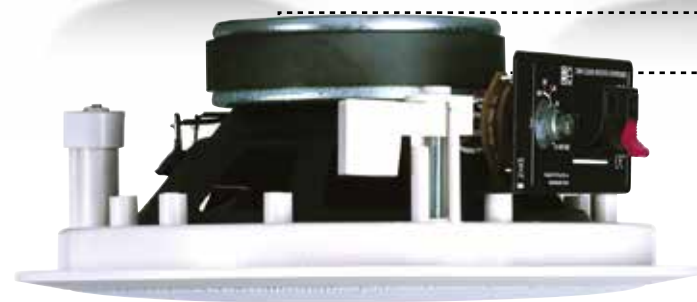


# IC SERIES

IC5, IC6, IC8, IN-CEILING RANGE

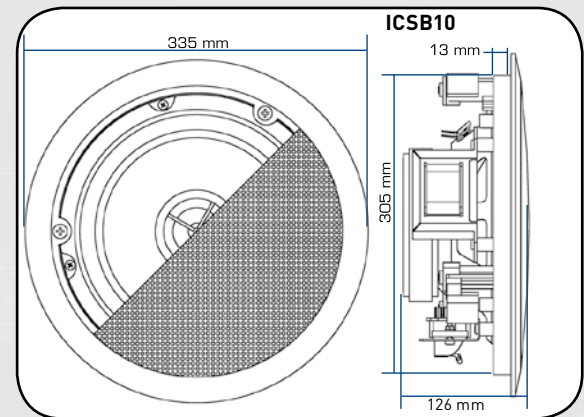
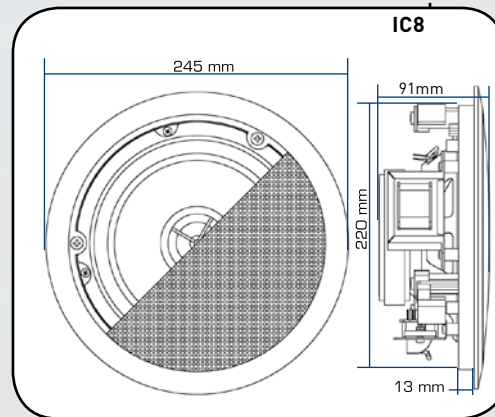
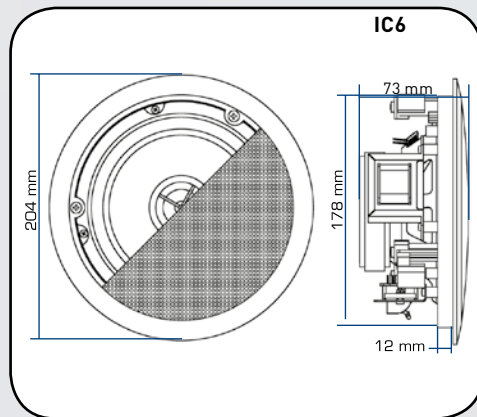
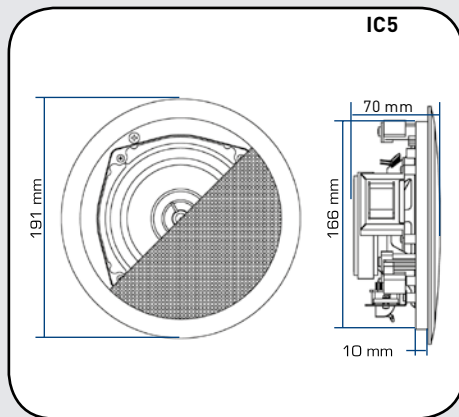
## IN-CEILING / IN-WALL SPEAKERS



With their discreet design, this line of in-ceiling (IC) speakers is the perfect option for 100 V and low impedance sound solutions. Both series provide excellent sound quality thanks to their infinite baffle philosophy and a top-performance high frequency transducer.

### Key features of the IC SERIES

- Two-way (except for the ICSB10) ABS speakers, infinite baffle configuration
- Built-in audio transformer for 100 V use
- Polypropylene woofer that resists heat and humidity
- Front grille may be removed for painting
- Clip-type input terminals
- Cutting and painting templates included
- Support system with 3 rotating tabs
- ICSB10: Included metallic accessories to reinforce installations in standard dropped ceilings



# IC SERIES

## ICSB10 IN-CEILING RANGE

## IN-CEILING / IN-WALL SPEAKERS

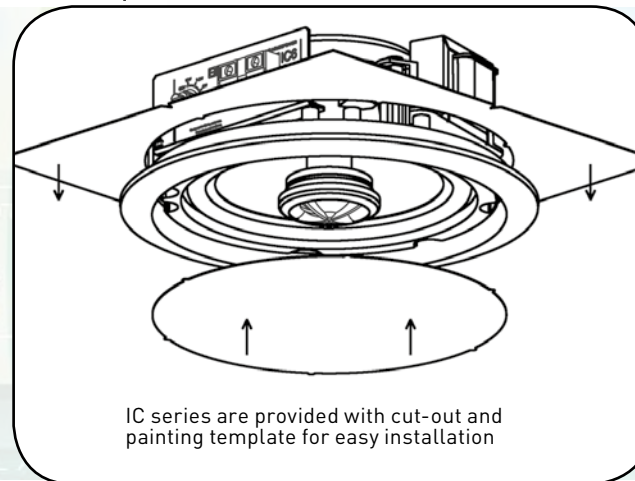
The ICSB10 is the perfect partner for consistent “invisible” bass amplification in installations involving ceiling speakers. Powerful, discreet and easy to install with a simple rotating tab system, this 10” sub-bass has a power of 100 W RMS and a very high acoustic performance. The front grille and frame can be painted to blend in better with the decoration environment. Each ICSB10 unit comes with a set of accessories that make it easy to install it in standard lowered ceiling grids, providing the installation all that much more solid and reliable.



### Recommended amplification

- **DPA, GPA** and **LPA** series
- **HMA120** and **HMA180** self-powered mixers
- **CA** series compact RS-232 amplifiers
- **MPA-R** multi-channel amplifiers line (low impedance or high impedance with DLA adapters)
- **NXA** multi-channel amplifiers with built-in DSP and remote Ethernet management (low impedance)
- **HZA** multi-channel 100 V line amplifiers
- **HSA** series amplifiers (high impedance)

Technical Characteristics	IC5	IC6	IC8	ICSB10
Nominal low impedance	8Ω	8Ω	8Ω	8Ω
RMS power	25W	40W	60W	100W
Nominal high impedance	100V LINE	100V LINE	100V LINE	-
Power selector	1.5, 3, 6, 12W	2.5, 5, 7.5, 15W	5, 7.5, 15, 30W	7.5, 15, 30, 60W
Frequency response (-6dB)	80Hz - 20kHz	70Hz - 20kHz	55Hz - 20kHz	-
without LP filter(-10dB)	-	-	-	75Hz - 750Hz
LP passive filter cut off frequency	-	-	-	150Hz
Sensitivity 1W/1m (Filter off)	88dB	90dB	91dB	93dB
(Filter on, 80-200Hz)	-	-	-	91dB
External diameter	191mm	204mm	245mm	335mm
Internal diameter	166mm	178mm	220mm	305mm
Recommended cut out diameter	168mm	180mm	222mm	307mm
Dimensions of hole for installation	-	-	-	-
Required depth	70mm	73mm	91mm	126mm
Weight	1.2kg	1.52kg	2.3kg	3.4kg



PRODUCT