



# PRO-HDMIFO-4K

HDMI to Optical Transmitter & Receiver kit  
(4K Resolution Support)

**OPERATION MANUAL**



## **DISCLAIMERS**

The information in this manual has been carefully checked and is believed to be accurate. CYP (UK) Ltd assumes no responsibility for any infringements of patents or other rights of third parties which may result from its use.

CYP (UK) Ltd assumes no responsibility for any inaccuracies that may be contained in this document. CYP (UK) Ltd also makes no commitment to update or to keep current the information contained in this document.

CYP (UK) Ltd reserves the right to make improvements to this document and/or product at any time and without notice.

## **COPYRIGHT NOTICE**

No part of this document may be reproduced, transmitted, transcribed, stored in a retrieval system, or any of its part translated into any language or computer file, in any form or by any means—electronic, mechanical, magnetic, optical, chemical, manual, or otherwise—without express written permission and consent from CYP (UK) Ltd.

© Copyright 2011 by CYP (UK) Ltd.

All Rights Reserved.

Version 1.1 August 2011

## **TRADEMARK ACKNOWLEDGMENTS**

All products or service names mentioned in this document may be trademarks of the companies with which they are associated.

## SAFETY PRECAUTIONS

Please read all instructions before attempting to unpack, install or operate this equipment and before connecting the power supply.

Please keep the following in mind as you unpack and install this equipment:

- Always follow basic safety precautions to reduce the risk of fire, electrical shock and injury to persons.
- To prevent fire or shock hazard, do not expose the unit to rain, moisture or install this product near water.
- Never spill liquid of any kind on or into this product.
- Never push an object of any kind into this product through any openings or empty slots in the unit, as you may damage parts inside the unit.
- Do not attach the power supply cabling to building surfaces.
- Use only the supplied power supply unit (PSU). Do not use the PSU if it is damaged.
- Do not allow anything to rest on the power cabling or allow any weight to be placed upon it or any person walk on it.
- To protect the unit from overheating, do not block any vents or openings in the unit housing that provide ventilation and allow for sufficient space for air to circulate around the unit.

## REVISION HISTORY

VERSION NO.	DATE	SUMMARY OF CHANGE
v1.00	15/11/2013	First release

# CONTENTS

<b>1. Introduction .....</b>	<b>6</b>
<b>2. Applications .....</b>	<b>6</b>
<b>3. Package Contents .....</b>	<b>6</b>
<b>4. System Requirements .....</b>	<b>6</b>
<b>5. Features.....</b>	<b>7</b>
<b>6. Operation Controls and Functions .....</b>	<b>8</b>
6.1 Transmitter Front and Rear Panels.....	8
6.2 Receiver Front and Rear Panels .....	9
<b>7. Specifications.....</b>	<b>10</b>
<b>8. Connection and Installation .....</b>	<b>11</b>
<b>9. Acronyms.....</b>	<b>12</b>

## 1. INTRODUCTION

The PRO-HDMIFO-4K is a Transmitter and Receiver set for sending Ultra High Definition 4K HDMI signals over long distances via Fiber Optic cabling. Connect a HDMI source to the Transmitter unit and the uncompressed signal will be passed over fiber optic to the Receiver where it is outputted as HDMI for connection to the display. HDMI Transmission distances of up to 300m can be achieved using this advanced fiber optic technology.

## 2. APPLICATIONS

- /// Digital signage
- /// Airport signage
- /// Advertising displays
- /// Video wall displays
- /// Surveillance systems
- /// Residential Installations

## 3. PACKAGE CONTENTS

- /// HDMI to Optical Transmitter
- /// Optical to HDMI Receiver
- /// 2 x 5V DC Power Adaptors
- /// Operational Manual

## 4. SYSTEM REQUIREMENTS

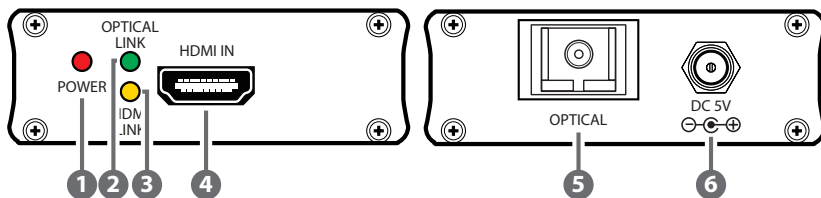
Source device such as a DVD or Blu-ray player with HDMI cables and output displays such as HDTV's and Monitors with HDMI ports.

## 5. FEATURES

- /// HDMI v1.4, HDCP and DVI compliant
- /// Long distance transmission up to 300m with OM3 50/125um cable
- /// Fast data transmission
- /// FPGA-based solution
- /// Supports EDID reading
- /// Supports HD resolutions: 480i to 1080i, plus 1080p24/25/30, and 2K x 4K
- /// Supplied with Locking PSU
- /// High Definition Audio supported: Dolby TrueHD, Dolby Digital Plus and DTS-HD Master Audio plus LPCM
- /// Supports 3D signals Supports the reading of EDID information

## 6. OPERATION CONTROLS AND FUNCTIONS

### 6.1 Transmitter Front and Rear Panels



#### 1 POWER LED:

This LED will illuminate when connected to an AC wall outlet.

#### 2 OPTICAL LINK LED:

The LED will illuminate when the optical cable is connected and has successfully detected and communicated data between the Transmitter and Receiver. If the LED is not illuminated then check that the fiber optic cable is properly connected and that the cable itself is undamaged.

#### 3 HDMI LINK LED:

This LED will illuminate when the Transmitter unit is receiving a HDMI signal from the source device.

#### 4 HDMI INPUT:

Connect to an HDMI input source such as a DVD or Blu-ray player with a HDMI cable.

#### 5 OPTICAL:

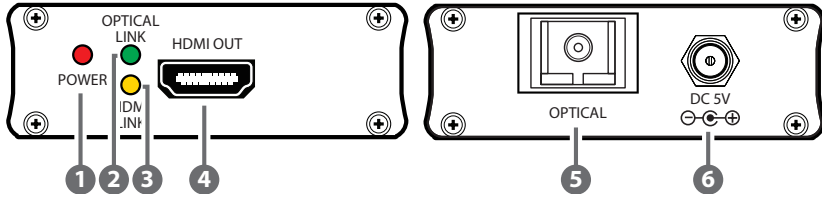
Connect the SC-SC multi-mode optical cable to the Transmitter and Receiver units.

#### 6 DC 5V:

Connect to the power adaptor included in the package to an AC wall outlet for power supply.



## 6.2 Receiver Front and Rear Panels



### 1 POWER LED:

This LED will illuminate when connected to an AC wall outlet..

### 2 OPTICAL LINK LED:

The LED will illuminate when the optical cable is connected and has successfully detected and communicated data between the Transmitter and Receiver. If the LED is not illuminated then check that the fiber optic cable is properly connected and that the cable itself is undamaged.

### 3 HDMI LINK LED:

This LED will illuminate when the device is successfully communicating with the display.

### 4 HDMI OUTPUT:

Connect to a HDMI Display device, such as a TV or monitor, with a HDMI cable.

### 5 OPTICAL:

Connect the SC-SC multi-mode fiber optical cable to the Transmitter and Receiver units.

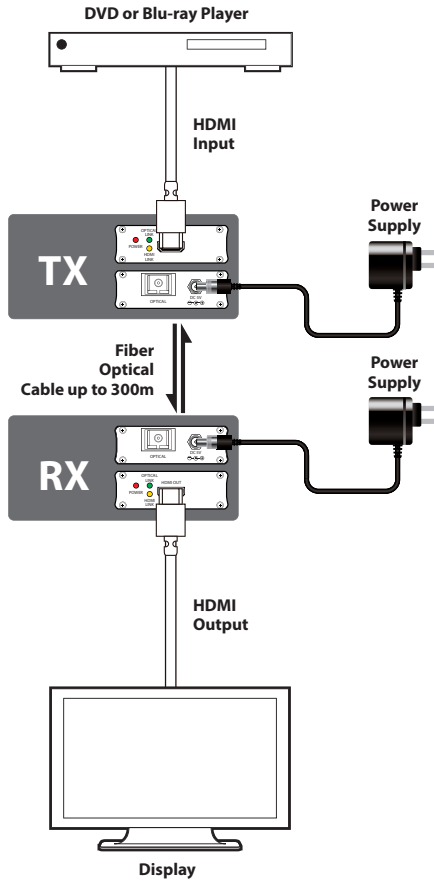
### 6 DC 5V:

Connect to the power adaptor included in the package from the AC wall outlet for power supply.

## 7. SPECIFICATIONS

<b>Video Bandwidth</b>	340MHz/10.2Gbps
<b>Optical Fiber</b>	OM3 50/125um, SC-SC connector
<b><i>Transmitter</i></b>	
<b>Input Port</b>	1×HDMI
<b>Output Port</b>	1×Multi-mode Fiber Optical
<b><i>Receiver</i></b>	
<b>Input Port</b>	1×Multi-mode Fiber Optical
<b>Output port</b>	1×HDMI
<b>Resolution Support</b>	PC: VGA ~ WUXGA HD: 3D & 480i ~ 1080p (50/60Hz), 4K×2K (24/25/30Hz)
<b>HDMI In/Out Cable Distance</b>	Up to 10m (In) and 10m (Out) at 8-bit Up to 6m (In) and 6m (Out) at 12-bit
<b>Optical Cable Distance</b>	Up to 300 Meters with OM3 50/125um optical fiber cable
<b>Power Supply</b>	5V/2.6A DC (US/EU standards, CE/FCC/UL certified)
<b>ESD Protection</b>	Human Body Model: ±8kV (air-gap discharge) ±4kV (contact discharge)
<b>Dimensions</b>	65.5mm (W) x 125.5mm(D) x 21.6mm(H)/ Each
<b>Weight</b>	200g/Each
<b>Chassis Material</b>	Aluminum
<b>Colour</b>	Black
<b>Operating Temperature</b>	0 °C ~ 40 °C
<b>Storage Temperature</b>	-20 °C ~ 60 °C / -4 °F ~ 140 °F
<b>Relative Humidity</b>	20 ~ 90 % RH (non-condensing)
<b>Power Consumption</b>	1.5W (TX), 1.3W (RX)

## 8. CONNECTION AND INSTALLATION



## 9. ACRONYMS

<b>ACRONYM</b>	<b>COMPLETE TERM</b>
HDCP	High-bandwidth Digital Content Protection
HDMI	High-Definition multimedia Interface









---

CYP (UK) Ltd., Unit 7, Shepperton Business Park, Govett Avenue, Shepperton,  
Middlesex, TW17 8BA

Tel: +44 (0) 20 3137 9180 | Fax: +44 (0) 20 3137 6279

Email: [sales@cypeurope.com](mailto:sales@cypeurope.com)

[www.cypeurope.com](http://www.cypeurope.com)

v1.00