



PU-DVI513L-KIT

DVI over Single CAT5e/6/7 HDBaseT™ LITE Extender Kit

OPERATION MANUAL

DISCLAIMERS

The information in this manual has been carefully checked and is believed to be accurate. CYP (UK) Ltd assumes no responsibility for any infringements of patents or other rights of third parties which may result from its use.

CYP (UK) Ltd assumes no responsibility for any inaccuracies that may be contained in this document. CYP (UK) Ltd also makes no commitment to update or to keep current the information contained in this document.

CYP (UK) Ltd reserves the right to make improvements to this document and/or product at any time and without notice.

COPYRIGHT NOTICE

No part of this document may be reproduced, transmitted, transcribed, stored in a retrieval system, or any of its part translated into any language or computer file, in any form or by any means—electronic, mechanical, magnetic, optical, chemical, manual, or otherwise—without express written permission and consent from CYP (UK) Ltd.

© Copyright 2011 by CYP (UK) Ltd.

All Rights Reserved.

Version 1.1 August 2011

TRADEMARK ACKNOWLEDGMENTS

All products or service names mentioned in this document may be trademarks of the companies with which they are associated.



SAFETY PRECAUTIONS

Please read all instructions before attempting to unpack, install or operate this equipment and before connecting the power supply.

Please keep the following in mind as you unpack and install this equipment:

- Always follow basic safety precautions to reduce the risk of fire, electrical shock and injury to persons.
- To prevent fire or shock hazard, do not expose the unit to rain, moisture or install this product near water.
- Never spill liquid of any kind on or into this product.
- Never push an object of any kind into this product through any openings or empty slots in the unit, as you may damage parts inside the unit.
- Do not attach the power supply cabling to building surfaces.
- Use only the supplied power supply unit (PSU). Do not use the PSU if it is damaged.
- Do not allow anything to rest on the power cabling or allow any weight to be placed upon it or any person walk on it.
- To protect the unit from overheating, do not block any vents or openings in the unit housing that provide ventilation and allow for sufficient space for air to circulate around the unit.

REVISION HISTORY

VERSION NO.	DATE	SUMMARY OF CHANGE
VS1	18/10/2012	First release
v1.01	31/07/2013	Added USB Power Cable Information

CONTENTS

1. Introduction	6
2. Applications	6
3. Package Contents	6
4. System Requirements	6
5. Features	6
6. Operation Controls and Functions	7
6.1 Transmitter Front and Rear Panels.....	7
6.2 Receiver Front and Rear Panels	8
6.3 Transmitter and Receiver Top Panels..	8
7. Connection Diagram	9
8. Specifications.....	10
9. Acronyms.....	11

1. INTRODUCTION

The PU-DVI513L-KIT allows DVI signals to be transmitted over a Single CAT5e/6/7 cable to distances of up to 60m. Utilise the USB power output from a TV as an optional way of powering the PU-DVI513L-RX receiver unit alternative to a mains power supply.

Designed with HDBaseT technology for greater flexibility in custom installations with full DVI signal transfer over a single CAT5e/6 cable.

2. APPLICATIONS

- /// Residential entertainment Installations
- /// University lecture room display
- /// Retail sales display
- /// Meeting room presentation
- /// Commercial advertising display

3. PACKAGE CONTENTS

- /// 1xDVI to CAT5e/6 Transmitter
- /// 1xCAT5e/6 to DVI Receiver
- /// 2x5V/2.6 A DC Power Adaptor
- /// Operation Manual

4. SYSTEM REQUIREMENTS

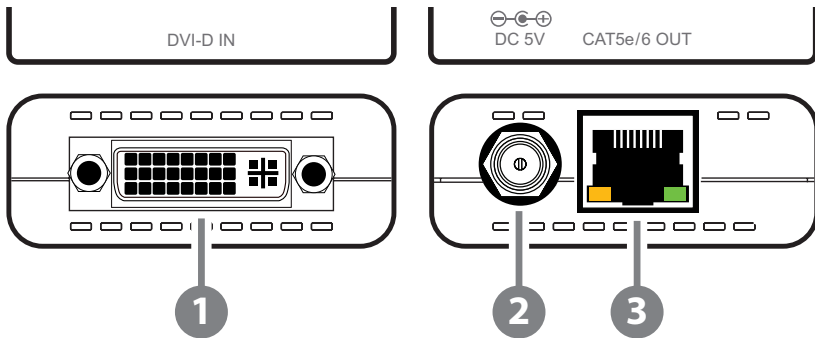
DVI source equipment such as DVD/Blu-ray player/PC and TV/monitor/projector with DVI input and DVI and CAT5e/6 cables.

5. FEATURES

- /// Complies with the HDBaseT-Lite specifications
- /// Supports HDMI (including HDCP) over a single CAT5e/6/7 up to 60m (with HDMI to DVI adaptor)
- /// Full HD resolution support (1080p@60 Hz/36-bit) and PC resolution support (VGA to WUXGA) over CAT5e/6/7 cable
- /// Choose to power the PU-DVI513L-RX via the USB output from a TV (Cable available separately - APC-USB): * Please note the performance and consistency of USB power outputs from TV's can vary and cannot be guaranteed by CYP.

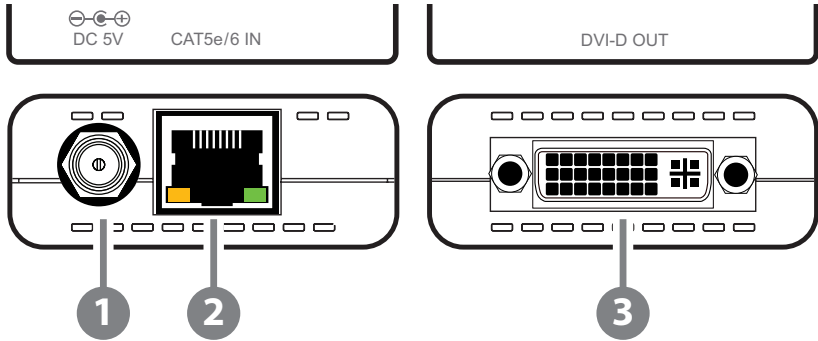
6. OPERATION CONTROLS AND FUNCTIONS

6.1 Transmitter Front and Rear Panels



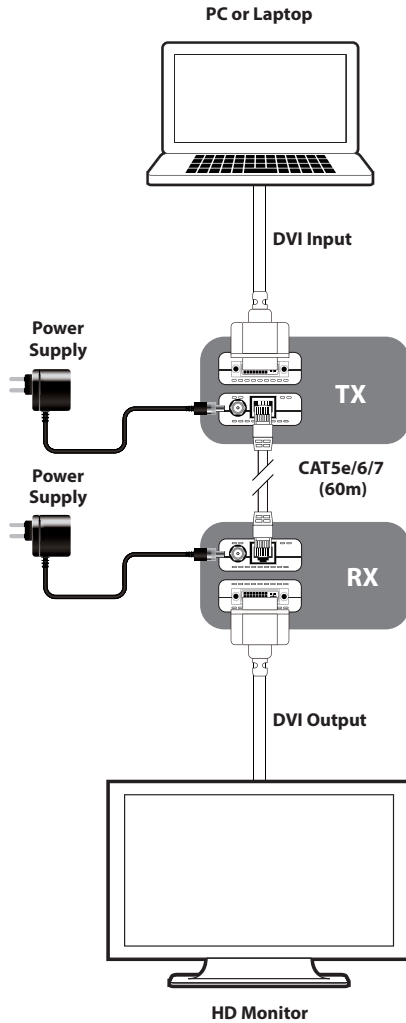
- 1 DVI IN:** Connect to the DVI source device such as a PC or Laptop with DVI cable.
- 2 DC 5V:** Connect the 5V DC power supply into the unit and Plug the adaptor to an AC outlet.
- 3 CAT5e/6/7 OUT:** Connect to the receiver unit with a single CAT5e/6/7 cable to receive all data signals. The yellow LED will illuminate when both the transmitter and receiver are connected and are powered. The green LED will illuminate when the device is connected to the power supply.

6.2 Receiver Front and Rear Panels



- 1 **DC 5V:** Connect the 5V DC power supply into the unit and plug the adaptor to an AC outlet.
- 2 **CAT5e/6/7 IN:** Connect to the transmitter unit with a single CAT5e/6/7 cable for transmission of all data signals. The yellow LED will illuminate when both the transmitter and receiver are connected and are powered. The green LED will illuminate when the device is connected to the power supply.
- 3 **DVI OUT:** Connect to a DVI equipped TV/monitor for display of the DVI input source signal.

7. CONNECTION DIAGRAM



8. SPECIFICATIONS

Video Bandwidth	300 MHz/10.2 Gbps
<i>Transmitter</i>	
Input	1×DVI
Output	1×RJ45
<i>Receiver</i>	
Input	1×RJ45
Output	1×DVI
ESD Protection	Human Body Model: ±8kV (air-gap discharge) ±4kV (contact discharge)
Power Supply	2×5 V/2.6 A DC (US/EU standards, CE/FCC/ UL certified)
Dimensions	55 mm (W)×82 mm(D)×22.5 mm (H)/each
Weight	56 g (TX), 64 g (RX)
Chassis Material	Plastic
Silkscreen Color	White
Operating Temperature	0 °C~40 °C/ 32 °F~104 °F
Storage Temperature	-20 °C~60 °C/-4 °F~140 °F
Relative Humidity	20~90% RH (non-condensing)
Power Consumption	3 W (TX), 5.5 W (RX)

9. ACRONYMS

ACRONYM	COMPLETE TERM
CAT5e	Category 5 Cable
CAT6	Category 6 Cable
DVI	Digital Visual Interface
HDCP	High-bandwidth Digital Content Protection
HDMI	High-Definition multimedia Interface



CYP (UK) Ltd., Unit 7, Shepperton Business Park, Govett Avenue, Shepperton,
Middlesex, TW17 8BA

Tel: +44 (0) 20 3137 9180 | Fax: +44 (0) 20 3137 6279

Email: sales@cypeurope.com

www.cypeurope.com

v1.01