



The Atlona AT-UHD-EX-100CEA-KIT is an HDBaseT™ transmitter/receiver kit for HDMI transmission up to 328 feet (100 meters) over category cable with Ethernet pass through, RS-232 and IR control, Power over Ethernet, and optical audio from receiver to transmitter. This extender kit transmits video signals up to 4K/UHD @ 60Hz, 8-bit color, 4:2:0 chroma subsampling with embedded multi-channel audio and remote 48V power for the receiver. A digital audio pathway returning back across the HDBaseT link from a smart TV to an AVR routes multi-channel audio using TOSLINK optical connectors. Additionally, the kit extends Ethernet, RS-232, and 12 volt-based IR control commands. The kit is HDCP 2.2 compliant and supports EDID communication. Both transmitter and receiver feature one-third rack width metal enclosures for easy rack mounting with rear panel I/O ports for uncluttered wire management.

The AT-UHD-EX-100CEA-KIT is a premium HDBaseT extender pair for residential systems that require audio from the TV to be amplified by an AVR near the set top box located at some distance from the TV. Return audio may be any audio signal including Dolby or DTS up to 5.1 (based on limitations of optical audio standard). The kit utilizes HDBaseT technology specifically designed to support audio extension based on HDBaseT 2.0 compared with some other solutions which use HDBaseT control channels to transmit return audio which may cause latency or quality issues.

4K/UHD capability -

- Compatible with Ultra High Definition sources and displays
- Full support of 4K/UHD streaming services and playback devices

HDCP 2.2 compliant -

- Adheres to latest specification for High-bandwidth Content Protection
- Allows protected content stream to pass between devices

Receiver to transmitter digital audio pathway -

- Routes multi-channel audio from TV to AVR on same extender and cable as video from set top box to TV
- Eliminates extra cable needed to bring high quality audio from embedded TV apps

Ethernet, RS-232, and Bi-Directional IR -

- No additional control cables required
- Saves time and money during installation

Remote-powered receiver -

- Power for receiver is supplied by transmitter over HDBaseT; meets HDBaseT certification requirements
- Saves time and integration costs; ensures interoperability and safety requirements

Extended distance HDMI extension -

- Transmits HDMI signals up to 328 ft (100m) @ 1080P and 328 ft (100m) @ 4K/UHD using CAT6a/7 cable
- Uses easy-to-integrate category cable for low-cost, reliable system installation

Specifications

Video Resolutions

Video	4096x2160@24/25/30/50*/60Hz*, 3840x2160@24/25/30/50*/60Hz* (UHD), 2048x1080p, 1080p@23.98/24/25/29.97/30/50/59.94/60Hz, 1080i@50/59.94/60Hz, 720p@50/59.94/60Hz, 576p, 576i, 480p, 480i	
VESA	2560x2048, 2560x1600, 2048x1536, 1920x1200, 1680x1050, 1600x1200, 1600x900, 1440x900, 1400x1050, 1366x768, 1360x768, 1280x1024, 1280x800, 1280x768, 1152x768, 1024x768, 800x600, 640x480	
Colorspace	YUV, RGB	
Chroma Subsampling	4:4:4, 4:2:2, 4:2:0	
Color Depth	8-bit, 10-bit, 12-bit	

Audio

HDMI - pass through	PCM 2Ch, LPCM 5.1, LPCM 7.1, Dolby Digital, DTS 5.1, Dolby Digital Plus, Dolby TrueHD, DTS-HD Master Audio, Dolby Atmos, DTS:X	
Optical - pass through	PCM 2Ch, LPCM 5.1, Dolby Digital, DTS 5.1	
Sample Rate	32kHz, 44.1kHz, 48kHz, 88.2kHz, 96kHz, 176.4kHz, 192kHz	
Bit Rate	up to 64-bit	

Distance

CAT5e/6 @ 4K	up to 90M	up to 295 ft
CAT6a/7 @ 4K	up to 100M	up to 328 ft
CAT5e/6 @ 1080p	up to 100M	up to 328 ft
HDMI IN/OUT @ 4K	up to 5M	up to 15 ft
HDMI IN/OUT @ 1080p	up to 10M	up to 30 ft

Signal

Bandwidth	10.2 Gbps	
CEC	Yes	
HDCP	supports up to 2.2	

Temperature

Operating	0°C to 50°C	32°F to 122°F
Storage	-40°C to 70°C	-40°F to 158°F
Humidity	20 to 90% non-condensing	

Power

Consumption	20.61W (when TX and RX are paired)	
Supply	Input: AC100~240V 50/60Hz Output: DC48V 0.83A	

Dimension

H x W x D	26 x 146 x 89 (mm)	1.02 x 5.75 x 3.50 (inch)
-----------	--------------------	---------------------------

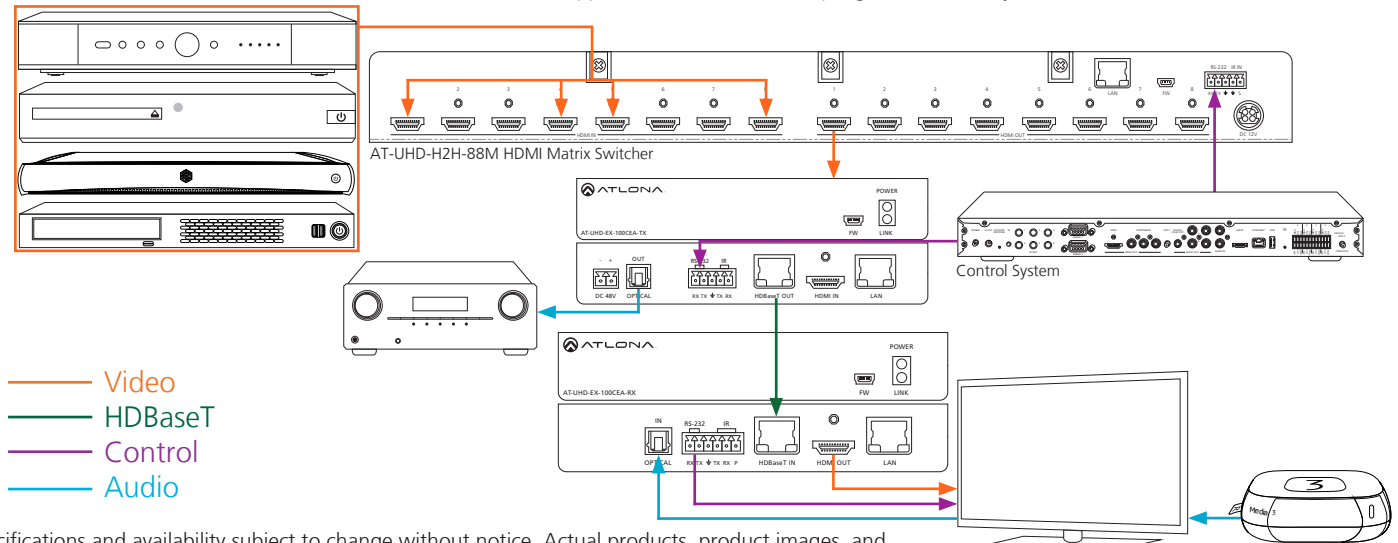
Weight

Device	0.41 kg	0.90 lbs
--------	---------	----------

Certification

Power Supply	CE, FCC, cULus, RoHS, CCC, RCM	
Product	CE, FCC	

**4096x2160@50/60Hz & 3840x2160@50/60Hz supported @ chroma subsampling 4:2:0 8-bit only



Specifications and availability subject to change without notice. Actual products, product images, and online product images may vary from images shown here. Not responsible for typographical errors.