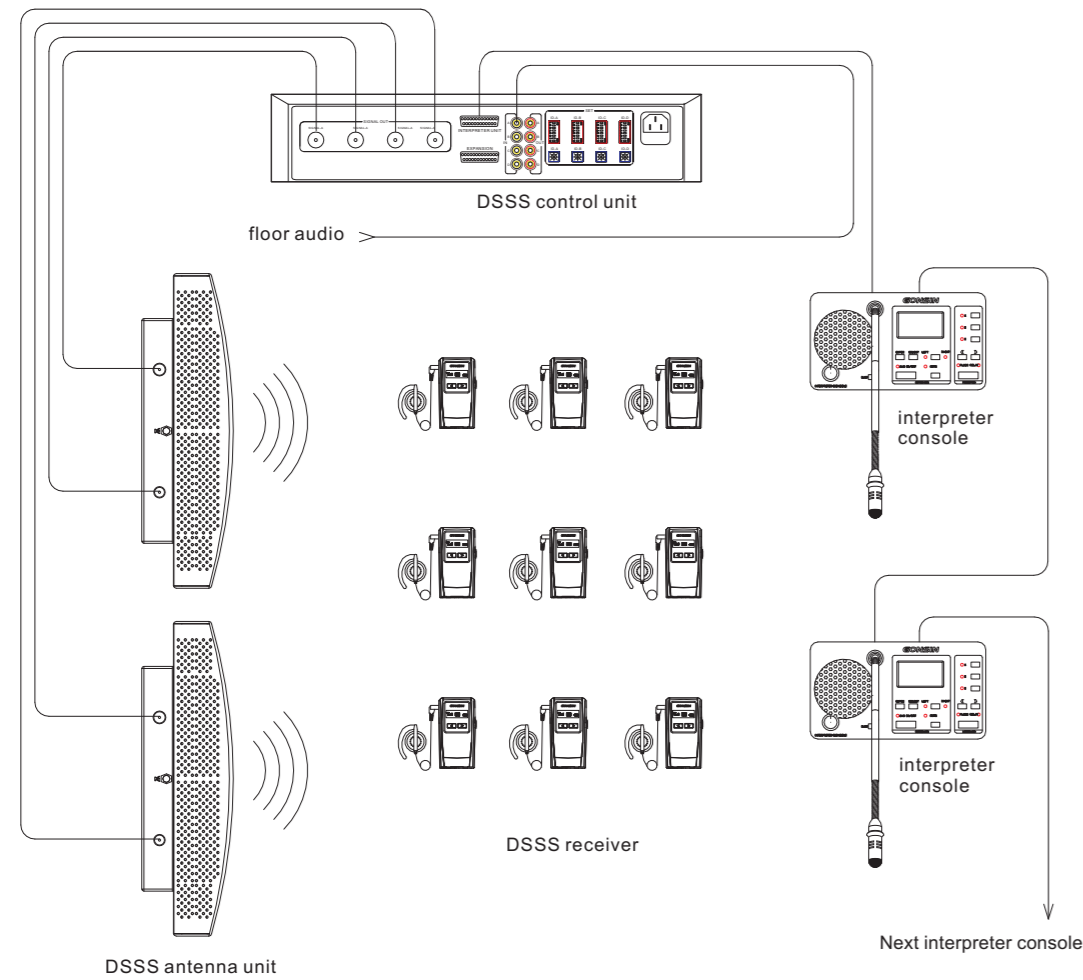


System Components

ITEMS	4 channels	8 channels	12 channels	16 channels
DSSS Control Unit (4 CH)	TC-RFZ04 x1	TC-RFZ04 x2	TC-RFZ04 x3	TC-RFZ04 x4
DSSS Antenna (2 CH)	TC-RFZ02 x2	TC-RFZ02 x4	TC-RFZ02 x4	TC-RFZ02 x8
DSSS Receiver (4/8/12/16 CH)	TL-RFJ04F	TL-RFJ08F	TL-RFJ12F	TL-RFJ16F
Interpreter Console (6/16 CH)	TC-F06	TC-F16	TC-F16	TC-F16
Interpreter Headset	TC-D2	TC-D2	TC-D2	TC-D2
Headphone	TC-D3	TC-D3	TC-D3	TC-D3
Charging Case (20 units)	GX-20S	GX-20S	GX-20S	GX-20S

System Configuration



GON SIN®



DSSS

Wireless Interpretation System



All rights reserved. The information and specifications included are subject to change without prior notice.

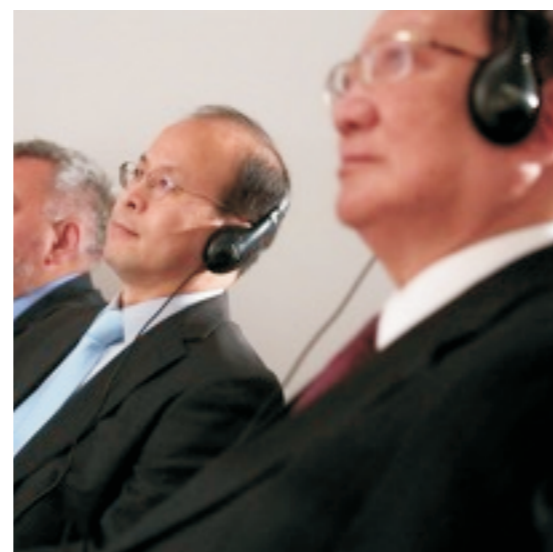
GON SIN CONFERENCE EQUIPMENT CO.,LTD.
www.gonsin.com



GON SIN TC-RF04/08/12/16 DSSS wireless interpretation system adopts worldwide unlicensed 2.4GHz frequency band and state-of-the-art Direct Sequence Spread Spectrum (DSSS) technology to offer CD quality sound, excellent immunity from noise and interference, and high security against unauthorized listening.

The system is designed for simultaneous interpretation and language distribution in 4, 8, 12 or 16 channels, with operating range of more than 100 metres, ideally suited for use in business and government conferences, international conventions and other indoor and outdoor multilingual applications.

◆ Technical Specifications



Modulation mode	DSSS
Frequency range	2.4-2.5GHz
Encryption mode	AES
Distortion at 1 KHz	< 1.0%
RF output power level	700mV
RF output impedance	50 ohms
Input impedance	18K ohms
Signal-to-noise ratio	>55dB
Power consumption	0.2 W, standby 50mW
LCD screen	33mm x 17mm
Rechargeable Li-ion battery	3.7V 1050mAh
Dimensions	100x52x18 mm(HxWxD)
Weight	0.15kg

◆ DSSS Receiver

TC-RFJ04F/08F/12F/16F

The portable DSSS receiver is designed to receive 4, 8, 12 or 16 channels with CD quality sound. The unit is powered by a rechargeable Lithium-ion battery pack. The selected channel number, battery level and signal strength are displayed on LCD screen. Equipped with an individual DSSS receiver, a participant can listen to any selected language channel on a personal headphone, monitor the battery status, check whether or not the unit is receiving the signal properly, and adjust volume level for comfortable listening. Any number of receivers can be used within the effective working range.

This receiver unit is equipped with built-in DIP switch to set ID numbers to avoid interference when multiple Gonsin systems are used at the same venue or in the same building.



◆ DSSS Antenna Unit

TC-RFF02

The TC-RFF02 high-gain directional antenna unit is designed for 2 operating channels, suitable for both indoor and outdoor applications. Equipped with channel selection and channel locking function, the unit is powered by the control unit via a coaxial cable. The antenna unit can be mounted on wall or tripod stand.

◆ Technical Specifications

Modulation mode	DSSS
Frequency range	2.4-2.5GHz
Frequency channel spacing	5 MHz
Impedance	50 Ohms
Power gain	14dBi
Feed cable	SYV 50-7 coaxial
Cable length	5/10/20 metres
Connectors	N-type to N-type
Transmitting range	more than 100 metres
Operating temperature	0°C to 45°C
Storage temperature	-20°C to 50°C
Dimensions	450x82x211 mm(WxDxH)
Weight	3.8kg



◆ DSSS Control Unit

TC-RFZ04

The microprocessor based TC-RFZ04 DSSS control unit is able to transmit 4 operating channels, featuring independent channel level control, channel output level indicators, and channel signal outputs for sound recording. Via a Db25 cable, multiple interpreter consoles can be connected to the control unit in a daisy-chain. Four control units can be cascaded together to transmit up to 16 channels in one system.



◆ Technical Specifications

Modulation mode	DSSS	Power consumption	60 watts
Frequency range	2.4-2.5GHz	Standby power consumption	30 watts
Frequency response	20Hz to 20KHz	Power requirement	110/220VAC, 50/60Hz
Encryption mode	AES	RF outputs	4 N-connectors
Distortion at 1 kHz	<0.5%	Audio inputs	4 x RCA unbalanced
Channel separation	>70dB	Audio outputs	4 x RCA unbalanced
RF output power level	700mV	Operating temperature	0°C to 45°C
RF output impedance	50 ohms	Storage temperature	-20°C to 50°C
Input impedance	18k ohms	Dimensions	485x325x90 mm(WxDxH)
Max. input power level	3.5V	Weight	7.6kg
Signal-to-noise ratio	>75dB		

