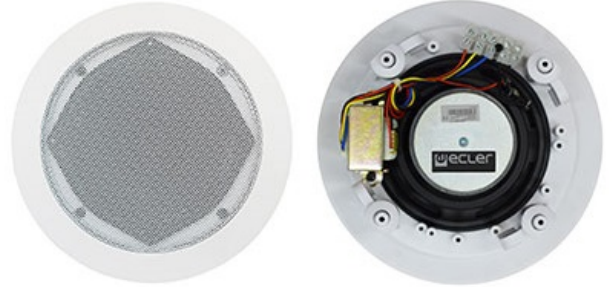


## eIC51

### CEILING LOUDSPEAKERS

#### *Essentials Ceiling Loudspeaker*



### PRODUCT OVERVIEW

ECLER eIC51 is a cost-effective in-ceiling installation loudspeaker with a great sound performance. It features a 5,25" woofer, 10 WRMS @ 8 ohm nominal power and 100V line transformer with 3 and 6 W power selections.

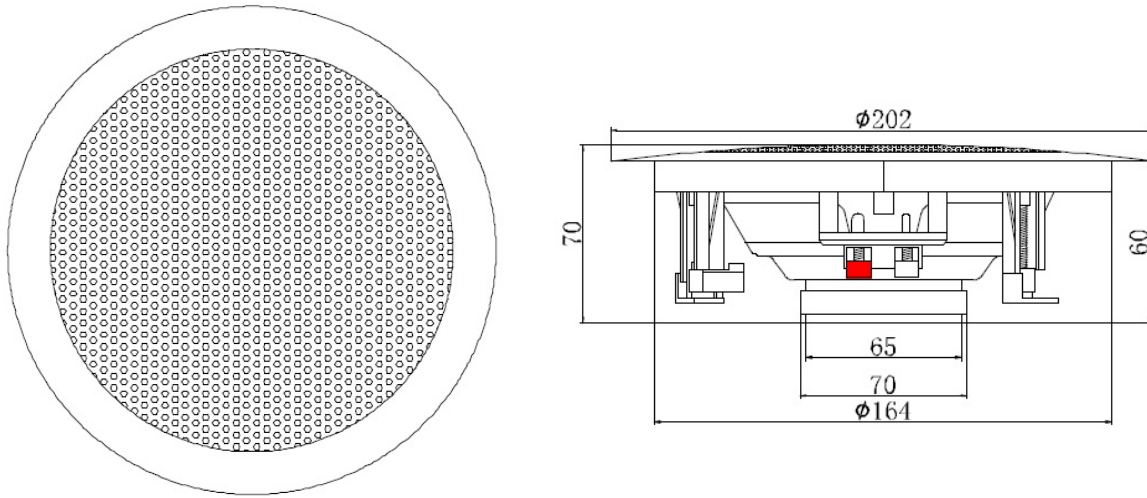
### KEY FEATURES

- One-way ABS speaker, 10 WRMS
- 5,25" woofer
- Built-in audio transformer for 70/100 V use
- Clip-type input terminals and low impedance / high impedance power tap selector

### APPLICATIONS

- Corporate and residential buildings
- Commercial premises
- Leisure centres
- Health and sports centres
- Meeting and conference rooms
- Auditoriums, museums

## MECHANICAL DIAGRAMS



## TECHNICAL DATA

<b>Nominal low impedance</b>	8Ω
<b>RMS power</b>	10 W
<b>Nominal high impedance</b>	70/100V Line
<b>Power selector @ 100V</b>	3, 6 W
<b>Frequency response (-6 dB)</b>	120Hz - 20kHz
<b>Sensitivity 1W/1m</b>	88 dB
<b>External diameter</b>	202 mm
<b>Internal diameter</b>	164 mm
<b>Required depth</b>	60 mm
<b>Weight</b>	0.9 kg