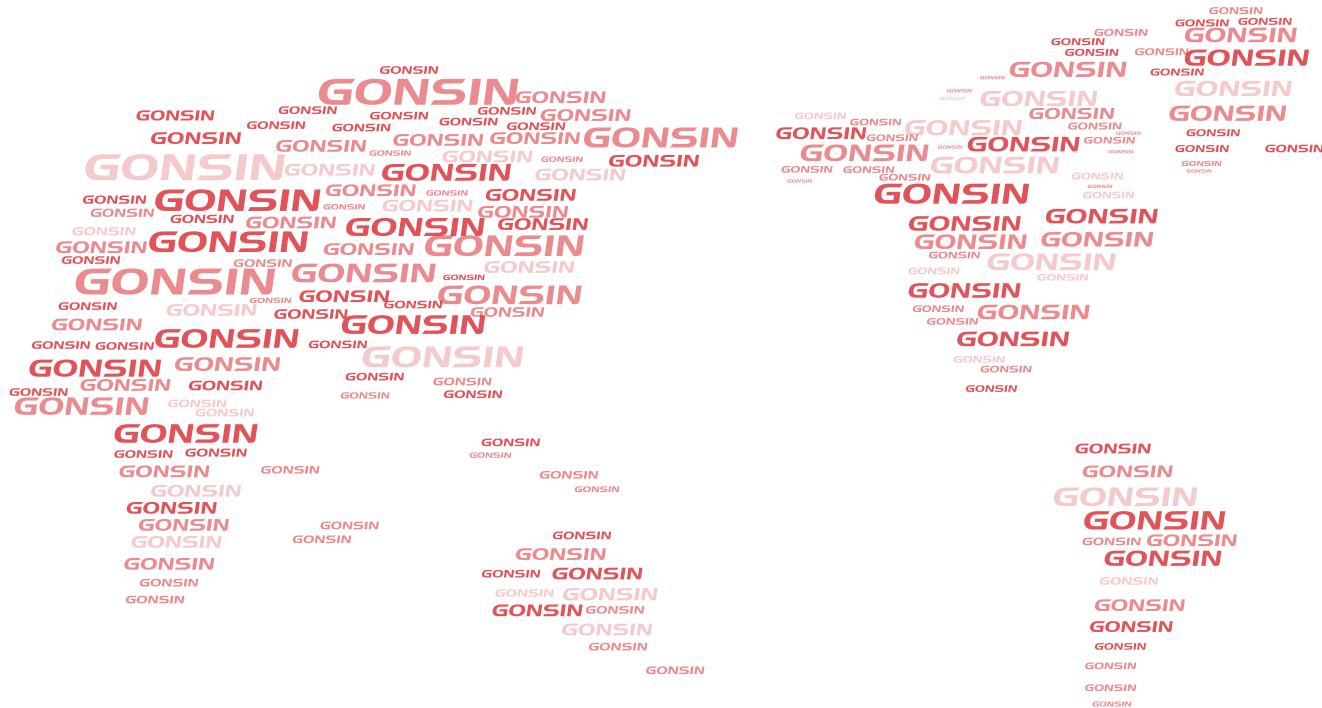


GONSIN®



Digital IR Simultaneous Interpretation System



All rights reserved. The information and specifications included are subject to change without prior notice.

GONSIN CONFERENCE EQUIPMENT CO.,LTD.
www.gonsin.com



GONSIN®
Delivering Trust & Value

◆ Digital IR Simultaneous Interpretation System

◆ System Features

- ◆ Compliant to IEC 60914 and IEC 61603;
- ◆ Compatible with any other IR system compliant to IEC 61603-7;
- ◆ Compliant to GB 50524-2010;
- ◆ Stable performance, perfect sound quality;
- ◆ Transmitting in 2.0~8.0MHz frequency, eliminates disturbance from high frequency lighting systems;
- ◆ Elegance Design & Perfect sound quality;
- ◆ Digital IR simultaneous interpretation system.



◆ TC-J904LD/908LD/912LD/916LD/932LD IR Receivers

The TC-J904LD/908LD/912LD/916LD/932LD infrared receiver is designed to receive 4/8/12/16/32 channels. The receiver is powered by a more environment-friendly rechargeable Lithium-ion battery pack. The selected channel number and battery level can be displayed on LCD screen. The user may listen to any selected language on a personal headphone. Volume level can be adjusted through a thumbwheel switch for comfortable listening.

◆ Fetures

- ◆ Streamline design;
- ◆ Operating information display on the LCD;
- ◆ Language of every channel can be displayed;
- ◆ Unique 270° super wide reception angle;
- ◆ Channel selection via up/down button;
- ◆ Supports 4/8/12/16/32 channels;
- ◆ 3.7V chargeable lithium battery;
- ◆ Battery can continuously work up to 20 hours;
- ◆ Headphone detection function;



◆ **Basic Function**

- ◆ Light-weight and handy receiver in conjunction with headphone for easy and comfortable use;
- ◆ Supports 4/8/12/16/32 channels;
- ◆ Compatible with any other IR system compliant to IEC 61603-7;
- ◆ Unique 270° super wide reception angle, ensuring perfect sound quality;
- ◆ LCD display with channel number, language name, battery and signal status indication;
- ◆ Headphone detection function, receiver will be off when headphone is disconnected for more than 5 minutes;
- ◆ Channel selection and volume control via button, easy operation;
- ◆ High quality audio, without co-channel interference;
- ◆ Volume level can be adjusted;
- ◆ 3.7V chargeable lithium battery;
- ◆ Low-consumption design, battery can continuously work up to 20 hours;
- ◆ Unlimited receiver number within the IR power radiation range;
- ◆ Freedom of movement within the range of IR power radiator;
- ◆ Stereo headphone available;
- ◆ Can be hung over the neck via a nice lanyard or fit into the shirt pocket.

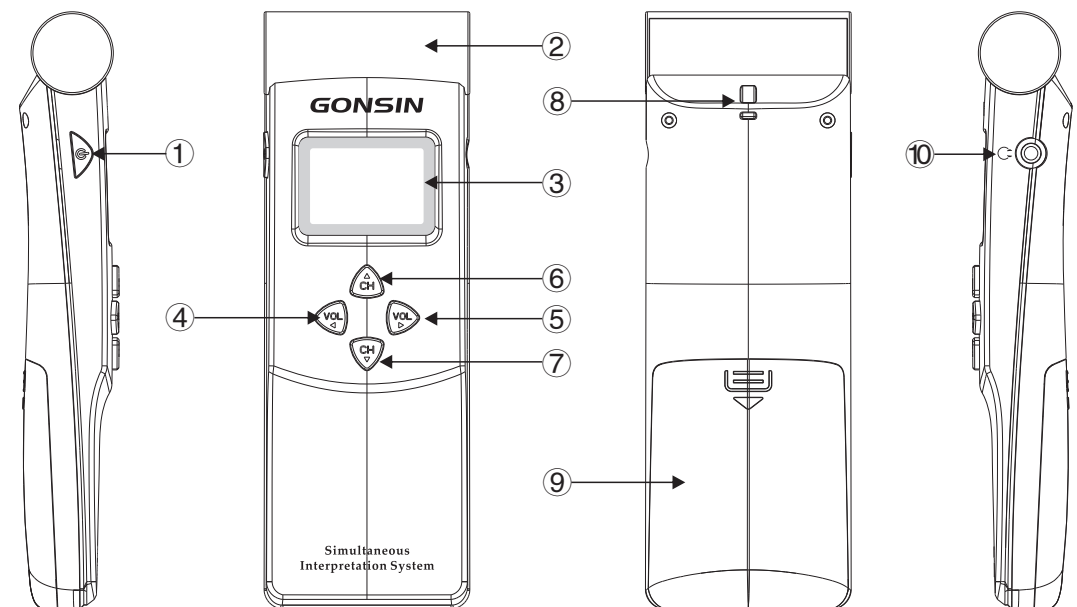


◆ **Technical Specifications**

Frequency range	2.0 ~ 8.0 MHZ
Modulation mode	DQPSK
Battery	3.7V Li-Ion battery
Supply voltage	3V~4.2V
Battery life	20hours
LCD parameter	Dimension 34mm×22mm Lattice 96x64
Dimension	159mm×55mm×26mm
Weight	0.12Kg
Operating temperature	0 ~ 45°C
Storage temperature	-20~50°C
Package	Portable aluminum box packing



◆ **Functions**



- 1. Power switch
- 2. Infrared red signal receive area
- 3. LCD
- 4. An up switch to adjust the volume
- 5. An down switch to adjust the volume
- 6. Channel selector An up switch to select the audio channel
- 7. Channel selector An down switch to select the audio channel
- 8. Lanyard hole
- 9. Position for battery pack
- 10. Earphone jack (3.5mm jack)

◆ TC-H25D/35D IR Radiator

The IR radiator emits infrared signal, which is the transit equipment between transmitter and receiver. the radiator have 2 optional power:25/35W, radiation range can reach upto 40/60meters.

◆ Features

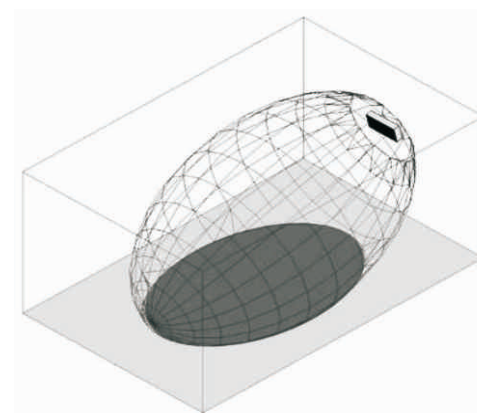
- ◆ Compliant to IEC 60914 and IEC 61603;
- ◆ Transmitting in 2.0~8.0MHz frequency (IEC61603 BAND4);
- ◆ Eliminates disturbance from high frequency lighting systems;
- ◆ Emission power 25W/35W available;
- ◆ Strong emission ability;
- ◆ Indicator to show operation mode;
- ◆ Synchronization ON/OFF with transmitter;
- ◆ Manual/Auto power switch.

◆ Basic Function

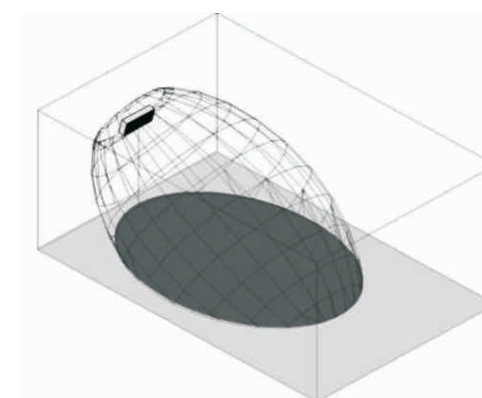
- ◆ 25w/35w emission power available, can be flexibly configured according to the conference room;
- ◆ Strong emission ability, maximum radiation range 40(25w)/60(35w)meters;
- ◆ Standby indication, working indication, failure indication;
- ◆ Signal delay adjustment function;
- ◆ LED displays delay parameter;
- ◆ Synchronization ON/OFF with transmitter;
- ◆ Manual half-power switch on the rear, convenient for small conferences;
- ◆ Temperature control: if temperature is too high, control switches to half-power with LED indication;
- ◆ Multi-channels use the same radiator;
- ◆ Radiators are connected by daisy-chain connection;
- ◆ Installation: fixed up by bracket or tripod stand.



◆ The footprint of the radiator

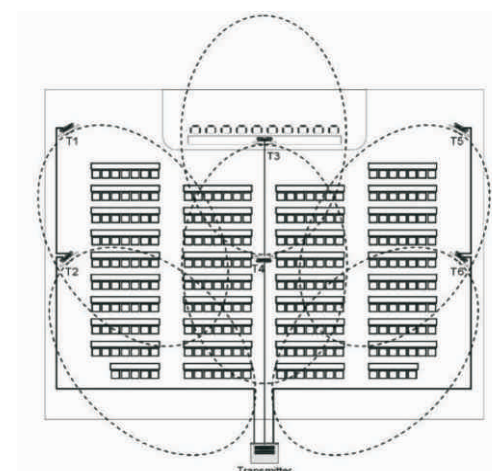


IR radiator and ceiling 15° installation

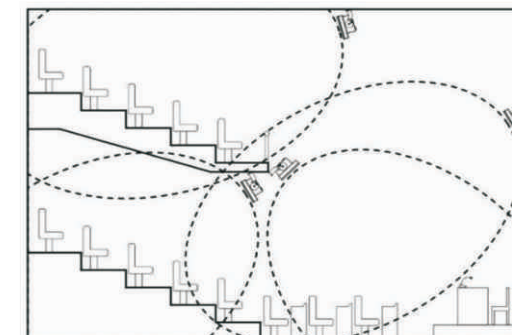


IR radiator and ceiling 30° installation

The cross section of the 3-dimensional radiation with the reception level of participants is the footprint (the dark grey area in figure 1 to 2). In this area, the direct signal is strong enough to ensure proper reception when the receiver is directed towards the radiator. The size and position of the footprint depends on the mounting height and the angle of the radiator.



Radiator positioning in a conference hall with auditorium seating and podium



Radiator for covering seats beneath a balcon

Because infrared radiation can reach a receiver directly and/or via diffused reflections, it's important to take this into consideration when installing the radiators. For best reception quality, receivers should pick up direct infrared radiation. In addition reflections will improve the signal reception. In big conference halls, infrared signal will be blocked by the people in front of the receiver. For that reason the radiator should be installed at an appropriated height, usually 2.8-4.5 meters.

For concentrically arranged conference venues, radiators located high up and faced to the centre from every angle can cover the area very efficiently. If the direction of the receiver changes, e.g. changing seat direction, the radiators can be installed in the corners of the room. If the the seating is always directed towards the IR transmitting source, radiators are not needed to be installed at the back, figure1.

If the path of the infrared signals is blocked, e.g. under balconies, at least one additional radiators is needed to cover the 'shaded' area (see figure 2).

◆ Technical Specification

Frequency Range	2.0 ~ 8.0 MHz
Modulation mode	DQPSK
IR output power	25W/35W
Angle of half intensity	±22°
Coverage range	40(25W) / 60(35W)meters
Transmitted power	50%/100% (low/high)

Power	110/220VAC, 50/60Hz
Weight	5Kg
Operating temperature	0 ~ 45°C
Storage temperature	-20~50°C
Dimension (W×D×H)	480mm x 208mm x 230mm

◆ TC-Z904D/908D/912D/916D IR Transmitter

The transmitter TC-Z904D/908D/912D/916D is the heart device of the IR simultaneous translation system, which is the central control unit. It can realize the function including system setting, expansion connection, system control, information processing etc; It has volume knob to adjust audio from each channel, and has channel detection function, which is easy for system commissioning. Within the radiation range, the transmitter capacity is not restricted.



◆ Basic Function

- ◆ Transmitting in 2~8 MHz frequency band eliminates disturbance from high frequency lighting systems;
- ◆ Highly privacy protection, which avoids eavesdropping and radio interference;
- ◆ It can be used together with wired interpretation system, and DSSS wireless interpretation system;
- ◆ 4 BNC interfaces for high frequency signal output, each interface connects unlimited radiator quantity;
- ◆ Multiple output channels for recording;
- ◆ Multiple audio input, maximum for 32 channels simultaneously (1 floor audio+31 interpretation audio)
- ◆ Unique testing function, different channels has each test audio, convenient for testing;
- ◆ Advanced phase-locked loop technology ensures stable transmitter emission, frequency stability is 10PPM;
- ◆ Auto level controlling function (ALC)
- ◆ The input level indicator shows input level directly;
- ◆ 19-inch rack mounting using.

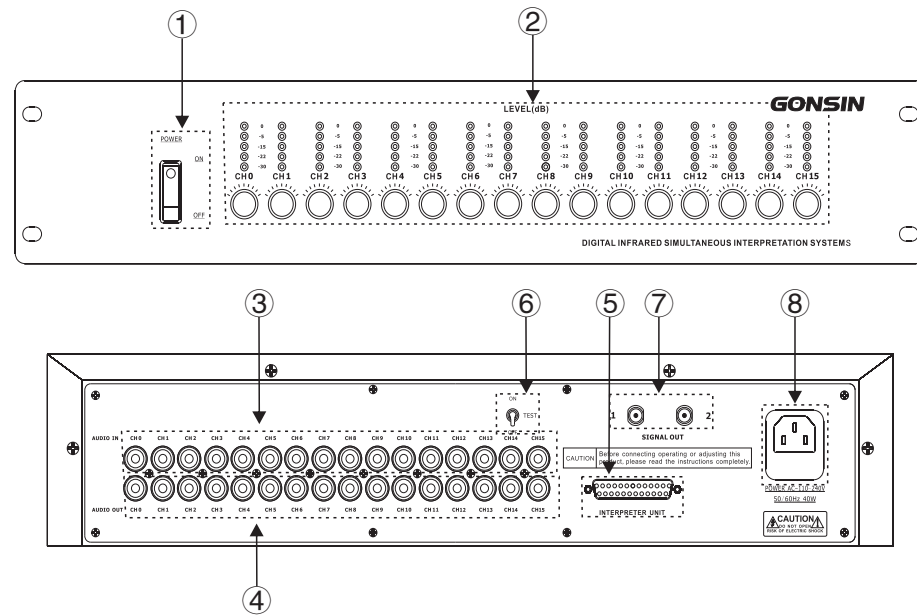
◆ Features

- ◆ Compliant to IEC 61603-7 and IEC 60914;
- ◆ Compliant to GB 50524-2010;
- ◆ Compatible with any other IR simultaneous interpretation system compliant to IEC 61603-7;
- ◆ Transmitting in 2.0~8.0 MHz frequency band eliminates disturbance from high frequency lighting systems;
- ◆ Multiple audio output/input channels;
- ◆ Transmitter can emit upto 16 channels simultaneously; when cascading two 16-channel transmitters, it can support 32 channels;
- ◆ Unique channel detection function.

◆ Technical Specification

Frequency Range	2.0 ~ 8.0 MHz
Modulation mode	DQPSK
Channels	4/8/12/16/32
Indication	channel level indication
Weight	7.6Kg
Operating temperature	0 ~ 45°C
Storage temperature	-20~50°C
Audio input/output	unbalance RCA X8
Dimension (W×H×D)	485mm×325mm×90mm

◆ Function Indicators



Front:

1. Power switch with indicator (red);
2. Dynamic audio indicator for each channel (LEVEL);the indicator flashes as long as there is audio input, volume adjustable.

Rear:

3. Audio Input Channe 0~15 (CH0~ Ch15);
4. Audio Output Channe 0~15 (CH0~ Ch15);
5. Interpreter Console interference(Female DB25 port),connected with wired interpretation system or interpreter console;
6. ON/OFF switch for testing of channel signal on the receivers(TEST), usually it is in OFF position;
7. RF output 1(SIGNAL OUT), (BNC socket is used to connect the radiator);
RF output 2(SIGNAL OUT), (BNC socket is used to connect the radiator);
8. Power Supply(AC110~240V).

◆ Interpreter Console TC-F06/16



◆ **Main Features**

- ◆ Digitally-controlled workstation designed for 6 or 16-channel interpretation system
- ◆ LCD screen to display the following information:
 - 1) Channel selection and confirmation
 - 2) Incoming/outgoing channel number
 - 3) All the occupied language channels
 - 4) Channel number of this unit
 - 5) Previous and present operation time
- ◆ Two different types of microphone can be used
 - 1) High quality gooseneck microphone
 - 2) Headset boom microphone
- ◆ Built-in loudspeaker with volume level control. Loudspeaker is automatically switched off when the microphone is turned on
- ◆ A/B/C pre-select incoming channels for relay interpretation
- ◆ A/B pre-select outgoing channels for normal interpretation and retour interpretation
- ◆ Automatic channel interlocking function prevents the interpreters from using the same outgoing channel
- ◆ MUTE key to enable a brief muting of the microphone for cough cut
- ◆ Multiple interpreter consoles can be connected in a daisy-chain

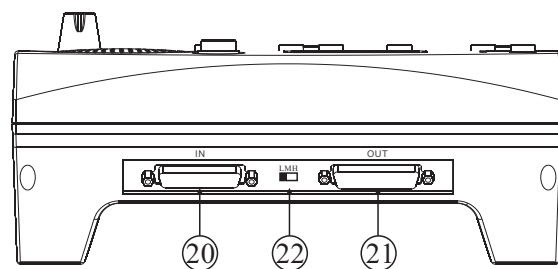
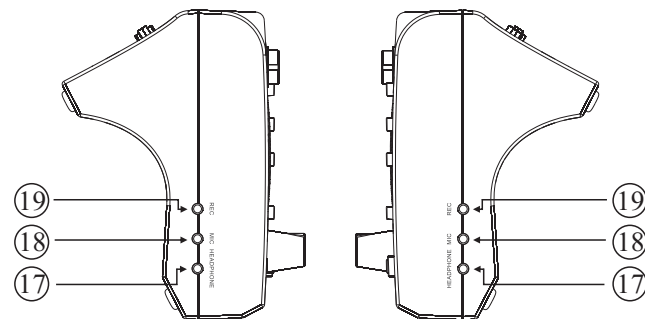
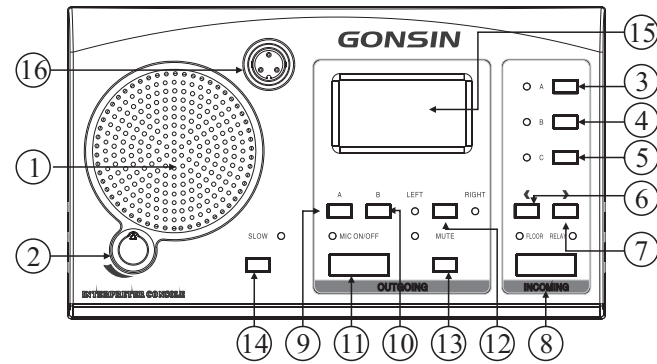


◆ **Technical Specifications**

Frequency response	50Hz ~ 18KHz
Channel separation	> 85 dB
Distortion at 1 KHz	< 0.1%
Operating voltage	24V DC
Power consumption	2.5W
Maximum input power level	7.5V
Built-in loudspeaker	8 ohms/2W
Audio input/output	2× MIC / 2× REC
Standard mic stem length	410 mm
Operating temperature	0°C ~ 45°C
Storage temperature	-20°C ~ 50°C
LCD screen	128x64 backlit
Dimensions	247×145×95 mm(W×D×H)
Weight	1.2kg

Detailed Components

1. Built-in loudspeaker 8Ω/2W
2. Rotary switch for loudspeaker volume level control
3. Key A for the first pre-selected incoming channel
4. Key B for the second pre-selected incoming channel
5. Key C for the third pre-selected incoming channel
6. Leftward key to pre-select an incoming/outgoing channel number
7. Rightward key to pre-select an incoming/outgoing channel number
8. FLOOR/RELAY key.
9. Key A for the first outgoing channel.
10. Key B for the second outgoing channel.
11. MIC ON/OFF button.
12. Selection button for left/right headset microphone.
13. MUTE key.
14. SLOW key to alert the current speaking delegate to speak slowly.
15. LCD screen for channel information display
16. Connector for pluggable microphone
17. Headphone output jack (3.5mm)
18. Headset microphone input jack (3.5mm)
19. REC output jack (3.5mm) on both sides for audio recording.
20. INPUT connector.
21. OUTPUT connector.
22. L/M/H switch to adjust the output volume level.



System Diagram

The IR simultaneous interpretation system is mainly composed of IR transmitter, IR radiator, IR receivers and interpreter console. The system can also be connected with the discussion and PA system to extend discussion and PA function.

