

◆ **TL-VQ5600+TC-Q5600+BJ-Q5600/BJ-K5600**
Discussion system with interpretation and voting

DESCRIPTION	MODEL	QTY/PCS	Remark
Central Control Unit	TC-ZB3	1	
Chairman Discussion Unit	TL-VXQ5600	1	
Delegate Discussion Unit	TL-VDQ5600	N	
Flush Voting Unit	BJ-Q5600	N	one in two
Handheld Voting Keypad	BJ-K5600	N	
Channel Selection Unit, with volume control	TC-Q5600	N	
Loudspeaker	SPK-10	N	Optional
Connector (conjunction box)	CON-5600	N	
Conference Management Software	V5.0.1	1	
Extension Unit	ZJ-KR	N	Optional
IC Card	BL7442	N	Optional
IC Card Encoder	GX-870(IC)	1	Optional
Interpreter Console with gooseneck microphone	TC-F06	N	
Interpreter Headset	TC-D2	N	
Stereo Headphone	TC-D3	N	Optional
Single Earphone	TC-D1	N	Optional

All rights reserved. The information and specifications included are subject to change without prior notice.

GONSIN CONFERENCE EQUIPMENT CO.,LTD.
www.gonsin.com



GONSIN®



TL-5600

Digital Conference System



GONSIN TL-5600 digital conference system is designed to provide a versatile flushmount solution including five function modules. All these modules are self-contained and can be flexibly configured, enabling conference terminals to offer more or less functions. Discussion unit allows the delegate to talk and request to talk, with automatic video tracking and a RJ-45 expansion port for additional plug-and-play handheld voting keypad. Channel selection unit offers 6 channels for participants to hear the selected channel through a personal headphone and adjust the volume level for comfortable listening. Voting unit is used for attendance registration, voting, election and evaluation. Loudspeaker can be added to the discussion unit depending on the venue needs.



◆ Flexible module-based solution

Five function modules can be stand-alone installed or easily combined to meet the exact customer needs, offering a versatile conference solution.



◆ Smart voice activation mode

The system can be operated under VOX mode so that the microphone is automatically turned on when the delegate speaks. VOX sensitivity can be set to H/M/L to suit conference environment. Voice activation mode enables hands-free operation with no need to push the microphone button.



◆ Future-proof system expansion

TL-5600 system offers perfect solution to upgrade the system and extend more features when necessary. Expansion port is designed to easily connect plug-and-play handheld module.



Discussion Unit

TL-VDQ5600/ TL-VXQ5600

Delegate discussion unit (TL-VDQ5600) allows the delegate to talk, request to talk, and register attendance. 1 to 4 delegate microphones can be active simultaneously. Built-in loudspeaker automatically mutes when the microphone is turned on. Chairman discussion unit (TL-VXQ5600) has the additional priority button to override all active delegate units to control the conference. Multiple chairman and vice-chairman discussion units can be used in one system, and can be active at any time regardless of preset delegate microphone limit.



TL-VXQ5600



TL-VDQ5600

Technical Specifications

Mounting type	flush mounting
Frequency response	50Hz-18KHz
Sensitivity	-46dB±4dB
THD	< 0.3%
Power input	24V
VOX sensitivity	H/M/L (76dB/80dB/82dB)
VOX auto mic time-out	20-250 seconds
Working temperature	0°C to 45°C
Storage temperature	-20°C to 50°C
Mic pickup range	100-600mm
Mic stem length	410mm standard, 310/510mm optional
Dimensions	100 × 40 × 66mm (W × D × H)
Net weight	86g

Main Features

- ◆ Voice-activated microphone mode
- ◆ Low susceptibility to interference from mobile phones
- ◆ Pluggable gooseneck microphone stem
- ◆ Waterproof and dustproof design
- ◆ Long microphone pick-up range

Basic Functions

- ◆ Microphone mode: VOX/AUTO/FIFO/OPERATOR
- ◆ Attendance: registration by keypress or late registration
- ◆ LED indicator and MIC light will blink when attendance is to be registered. LED indicator will light on when attendance is successfully registered
- ◆ VOX sensitivity and mic time-out are adjustable
- ◆ Automatic video tracking, with preset position for panorama view



◆ Flush Voting Unit

BJ-Q5600

The flush voting unit allows the delegate to register attendance and cast a vote for YES/ABST/NO, evaluation and election. Votes are counted automatically and the result is shown on display equipment such as large screen, projector/screen and white board. Results can be printed out or saved in CD.



◆ Main Features

- ◆ Simple and stylish design
- ◆ LED indicator to show working status for attendance and voting
- ◆ Voting and evaluation options are defined by system software
- ◆ 30000V ESD protection circuit design
- ◆ Waterproof and dustproof design



◆ Basic Functions

- ◆ Attendance registration: by IC card, microphone key press and late registration. Total, present and absent delegates can be counted and displayed
- ◆ Voting: YES/ABST/NO. Voting method can be defined by the system software. Vote count and result display are enabled automatically by PC
 - Single-choice and multiple-choice voting
 - First keypress and final keypress voting
- ◆ Election: elect one or more out of multiple candidates, with 'competitive election', 'equal number election' and 'quick election'
- ◆ Evaluation (opinion polls): Best, Good, Fair, Poor. Evaluation method can be defined by the system software
- ◆ When attendance is registered by IC card, green LED indicator will blink. For card error and invalid card, red LED indicator will light on. Green LED indicator will light on after attendance is registered
- ◆ LED indicator will blink to request for voting. LED indicator will light on for 3 seconds after a vote is casted, and then all LED indicators will be light off

◆ Technical Specifications

Mounting type	flush mounting
Powered	by the central control unit
Dimensions	100×40×66mm (W×D×H)
Net weight	75g
Working temperature	0°C to 45°C
Storage temperature	-20°C to 50°C



◆ Handheld Voting Keypad

BJ-K5600



Connecting the discussion unit via RJ-45 port, the handheld voting keypad allows the delegate to register attendance and cast a vote for YES/ABST/NO, evaluation and election. Votes are counted automatically and the result is shown on display equipment such as large screen, projector/screen and white board. Results can be printed out or saved in CD.

◆ Main Features

- ◆ Designed for ease of system expansion
- ◆ Handheld unit offers higher level of convenience and privacy
- ◆ LED indicators to show working status for voting
- ◆ Voting and evaluation options are defined by system software
- ◆ 30000V ESD protection circuit
- ◆ Waterproof and dustproof design



◆ Basic Functions

- ◆ Voting: YES/ABST/NO. Vote count and result display are enabled automatically by PC
 - Single-choice and multiple-choice voting
 - First keypress and final keypress voting
- ◆ Election: elect one or more out of multiple candidates, with 'competitive election', 'equal number election' and 'quick election'
- ◆ Evaluation (opinion polls): Best, Good, Fair, Poor
- ◆ When attendance is registered by IC card, green LED indicator will blink. For card error and invalid card, red LED indicator will light on. Green LED indicator will light on after attendance is registered
- ◆ LED indicator will blink to request for voting. LED indicator will light on for 3 seconds after a voting is casted, and then all LED indicators will be light off



◆ Technical Specifications

Mounting connector	RJ45
Working temperature	0°C to 45°C
Storage temperature	-20°C to 50°C
Dimensions	120×55×15mm(H×W×D)
Net weight	105g



◆ Channel Selection Unit

TC-Q5600

The wired flushmount channel selection unit provides high immunity from interference and high security against unauthorized listening. Each unit comes with headphone jack and volume control so that the delegate can hear any selected channel on a personal headphone, and adjust volume level for comfortable listening.



◆ Main Features

- ◆ Simple and stylish look
- ◆ 30000V ESD protection circuit design
- ◆ Waterproof and dustproof design

◆ Basic Functions

- ◆ 6 selectable channels for interpretation
- ◆ Loudspeaker volume level can be adjusted individually, or centrally by CCU and displayed on LCD
- ◆ Selected channel number is shown on LCD

◆ Technical Specifications

Mounting type	flush mounting
Powered	by the central control unit
Headphone jack	3.5mm
Working temperature	0°C to 45°C
Storage temperature	-20 to 50°C
Dimensions	100×40×66mm (W×D×H)
Net weight	62g



◆ Loudspeaker

SPK-10

The flush loudspeaker delivers natural and clear sound. When it is used with the flush discussion unit, any smaller conference can be held without external sound equipment.



◆ Main Features

- ◆ Simple and stylish design
- ◆ High-definition audio processing
- ◆ 30000V ESD protection circuit MIC is turned on

◆ Basic Functions

- ◆ Used with discussion unit for delegate to hear the speech from other participants
- ◆ Loudspeaker volume level can be adjusted individually, or centrally by CCU
- ◆ Speaker mutes automatically to prevent feedback when MIC is turned on

◆ Technical Specifications

Mounting type	flush mounting
Powered	by the central control unit
Loudspeaker	2W/8Ω
Frequency response	200Hz-16KHz



Connector

CON-5600

The CON-5600 connector is designed to connect control units to function modules including discussion unit, channel selection unit, flush voting unit and/or loudspeaker for power supply and communication signals.



Technical Specifications

Working temperature	0°C to 45°C
Storage temperature	-20 to 50°C
Dimensions (WxDxH)	167x160x40mm
Net weight	1083 g



Preview of 5600 series with multiple combination functions

Basic Discussion Module



TL-VDQ5600



TL-VDQ5600+SPK-10

Discussion&Voting Module



TL-VDQ5600+BJ-Q5600



TL-VDQ5600+BJ-Q5600+SPK-10



TL-VDQ5600+BJ-K5600



TL-VDQ5600+BJ-K5600+SPK-10

Discussion&Interpretation Module

Voting&Interpretation Module



TL-VDQ5600+TC-Q5600



TL-VDQ5600+TC-Q5600+SPK-10



BJ-Q5600+TC-Q5600

Discussion & Voting & Interpretation Module



TL-VDQ5600+BJ-Q5600+TC-Q5600



TL-VDQ5600+BJ-Q5600+TC-Q5600+SPK-10

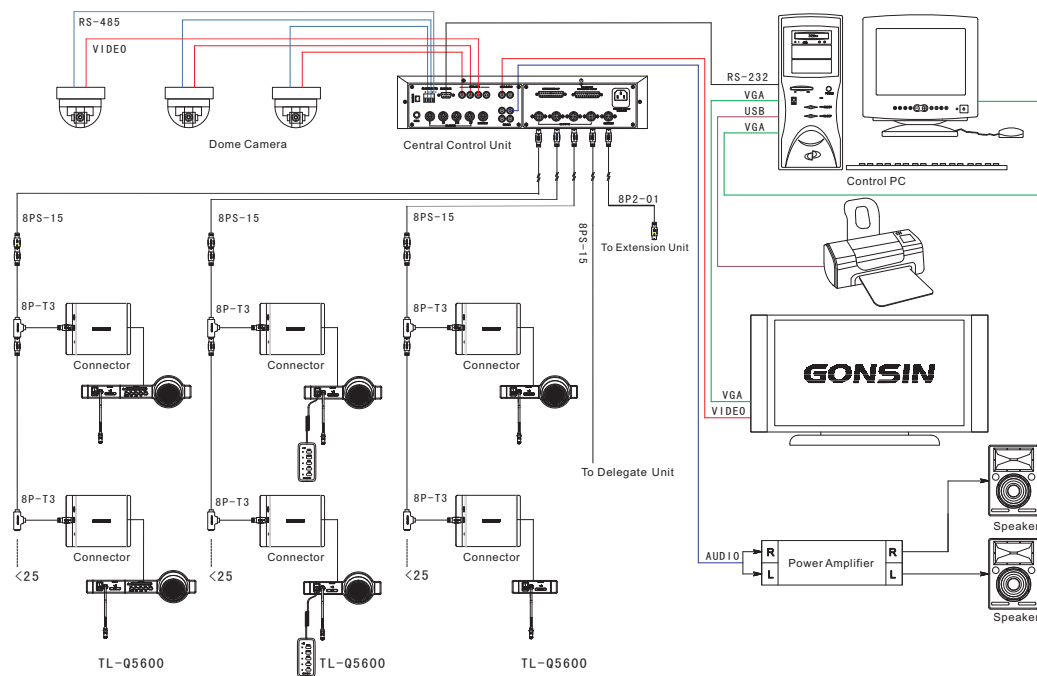


TL-VDQ5600+BJ-K5600+TC-Q5600



TL-VDQ5600+BJ-K5600+TC-Q5600+SPK-10

System Configuration



● System connection diagram for discussion / voting

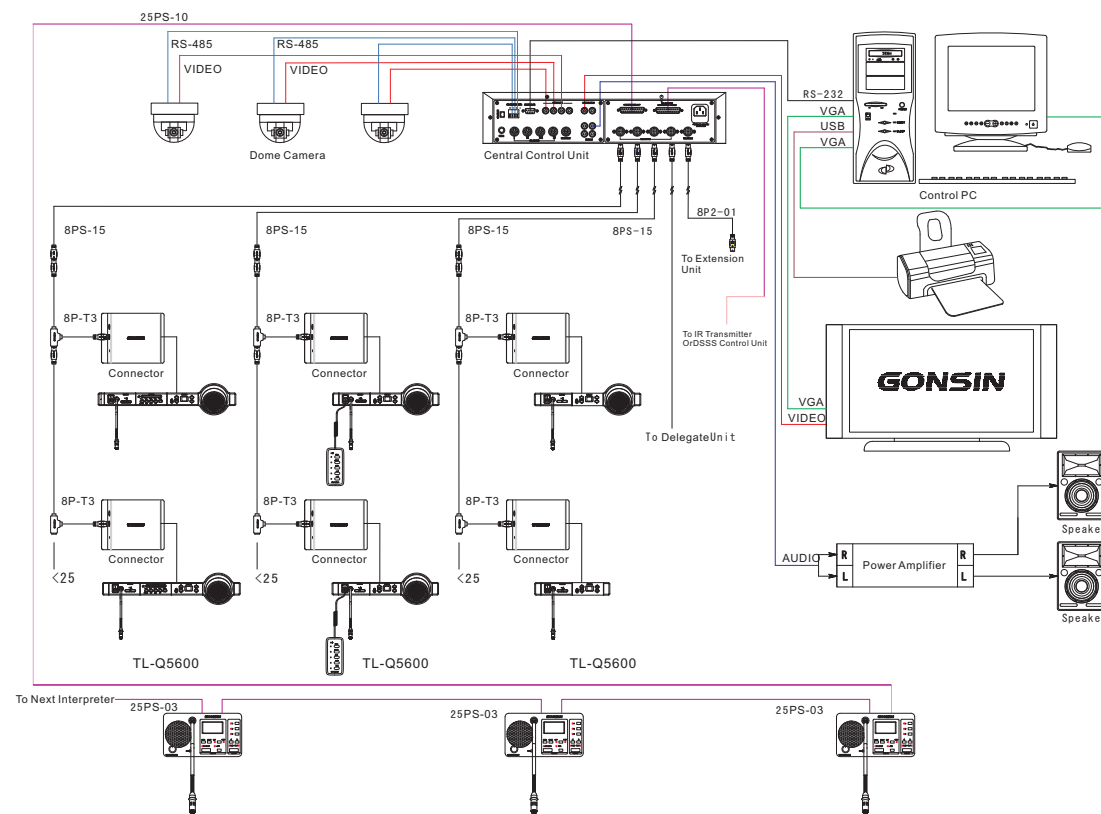
System Components

TL-VQ5600+BJ-Q5600/BJ-K5600 Discussion system with voting

DESCRIPTION	MODEL	QTY/PCS	Remark
Central Control Unit	TL-ZB3	1	
Chairman Discussion Unit	TL-VXQ5600	1	
Delegate Discussion Unit	TL-VDQ5600	N	
Flush Voting Unit	BJ-Q5600	N	
Handheld Voting Keypad	BJ-K5600	N	one in two
Connector (conjunction box)	CON-5600	N	
Conference Management Software	V5.0.1	1	
Extension Unit	ZJ-KR	N	Optional
IC Card	BL7442	N	Optional
IC Card Encoder	GX-870(IC)	1	Optional

TL-VQ5600+TC-Q5600 Discussion system with interpretation

DESCRIPTION	MODEL	QTY/PCS	Remark
Central Control Unit	TC-ZB3	1	
Chairman Discussion Unit	TL-VXQ5600	1	
Delegate Discussion Unit	TL-VDQ5600	N	
Channel Selection Unit, with volume control	TC-Q5600	N	
Loudspeaker	SPK-10	N	Optional
Connector (conjunction box)	CON-5600	N	
Extension Unit	ZJ-KR	N	Optional
Conference Management Software	V5.0.1	1	Optional
Interpreter Console with gooseneck microphone	TC-F06	N	
Interpreter Headset	TC-D2	N	
Stereo Headphone	TC-D3	N	Optional
Single Earphone	TC-D1	N	Optional



● System connection diagram for discussion / voting / interpretation