

eMOTUS80D

SURFACE MOUNT CABINETS

Outdoor Loudspeaker



PRODUCT OVERVIEW

eMOTUS80D is a 2-way full range loudspeaker cabinet with eMOTUS unique design. It features an 8" woofer and 1" tweeter and it's suitable for low and high impedance lines, with different power tap options.

eMOTUS80D is ready for indoor and outdoor applications, thanks to its aluminium grill and anti-yellowing treatment (IP65-rated). Wall mount accessories and safety sling are included for an easy and secure installation.

KEY FEATURES

- 2-way cabinet, 8" woofer and 1" tweeter
- 100WRMS @ 8Ω
- Power options: 100V: 60W / 30W / 15W / 7,5W / 8Ω
70V: 60W / 30W / 15W / 7,5W / 3,75W / 8Ω
- Outdoor design
- IP65 rated
- Aluminium grill with anti-yellowing treatment
- Back rubber cover for connections
- Includes wall bracket and security steel cable
- Available in black and white colour

APPLICATIONS

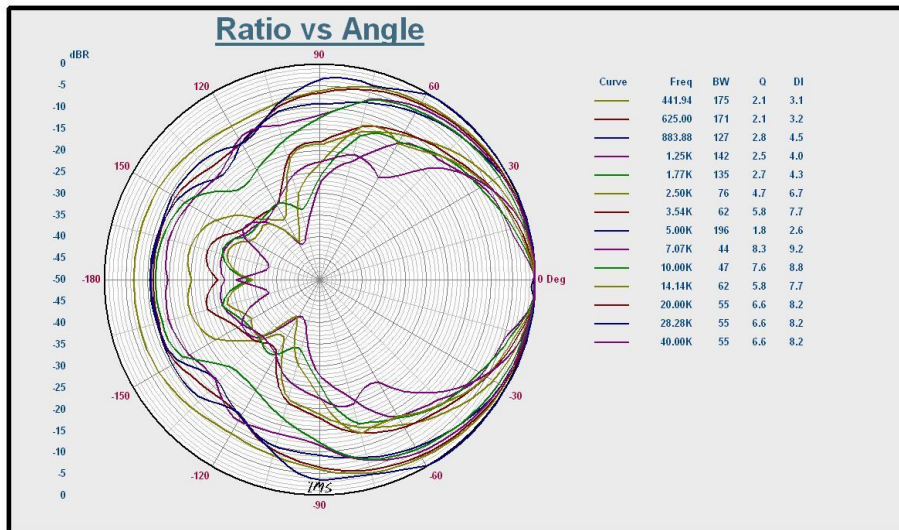
- Theme parks
- Gardens, nature parks and urban spaces
- Leisure centres
- Health and sport centres
- Museums
- Residential buildings, outdoor areas

TECHNICAL SPECIFICATIONS

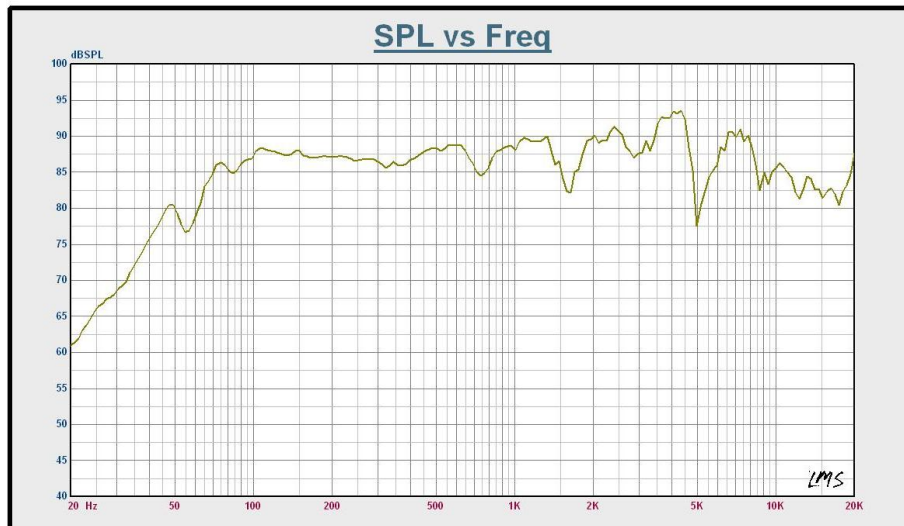
eMOTUS80D

Impedance	8Ω
RMS power	100W
Power options	100V: 60W / 30W / 15W / 7,5W / 8Ω 70V: 60W / 30W / 15W / 7,5W / 3,75W / 8Ω
Sensitivity 1W/1m	89dB
Dimensions (WxDxH)	268x242x264mm 268x327x264mm (including brackets)
Weight	4,25kg / 9,37 lb. 4,75kg / 10,47 lb. (including accessories)

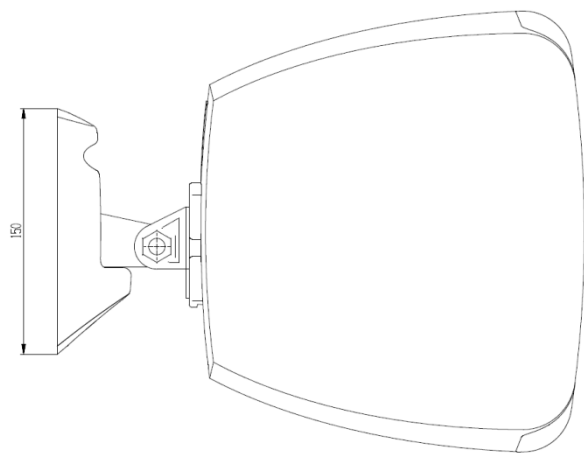
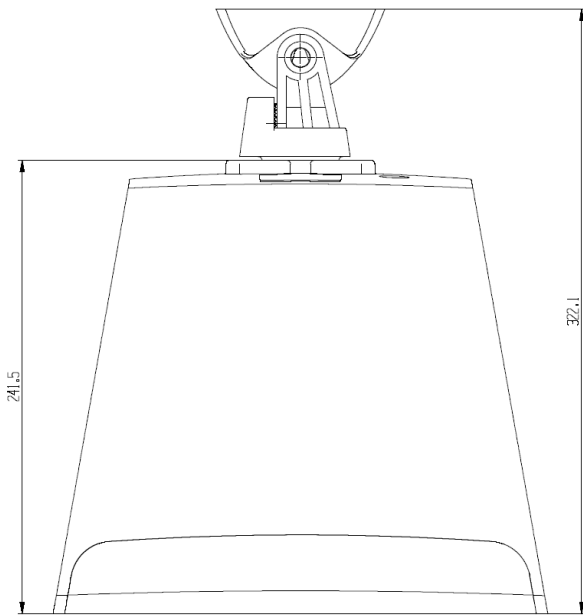
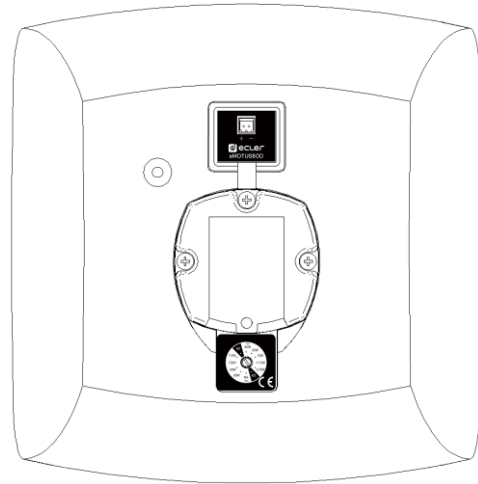
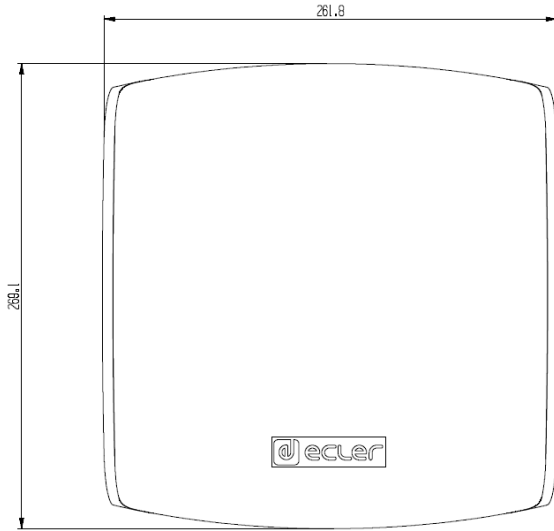
POLAR DIAGRAM



FREQUENCY RESPONSE



MECHANICAL DIAGRAMS





All product characteristics are subject to variation due to production tolerances. **NEEC AUDIO BARCELONA S.L.** reserves the right to make changes or improvements in the design or manufacturing that may affect these product specifications.

Motors, 166-168 08038 Barcelona - Spain - (+34) 932238403 | information@ecler.com | www.ecler.com